

Kit AiM Solo/SoloDL for Yamaha R1* and R6**

Installation guide

Fig. 1/9

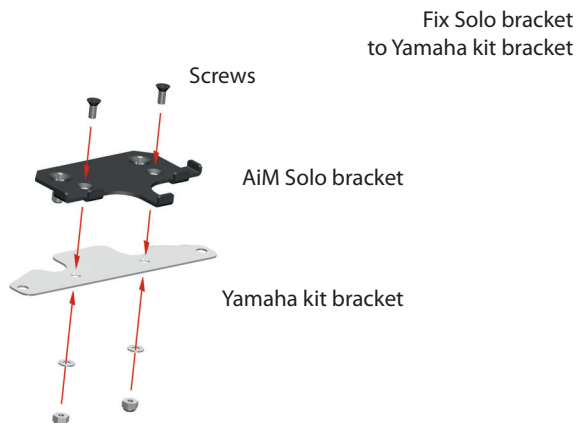


Fig. 2/9



Fig. 3/9

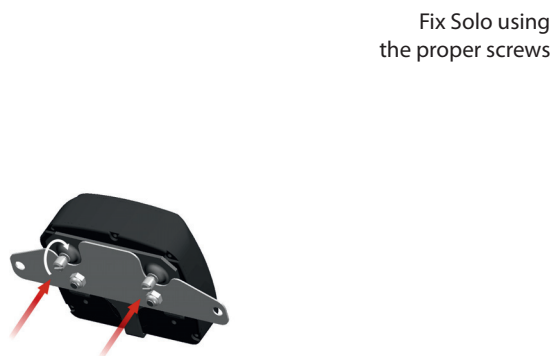


Fig. 4/9

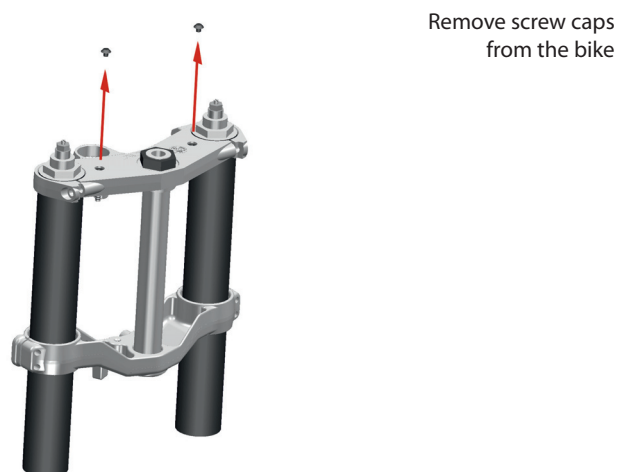


Fig. 5/9

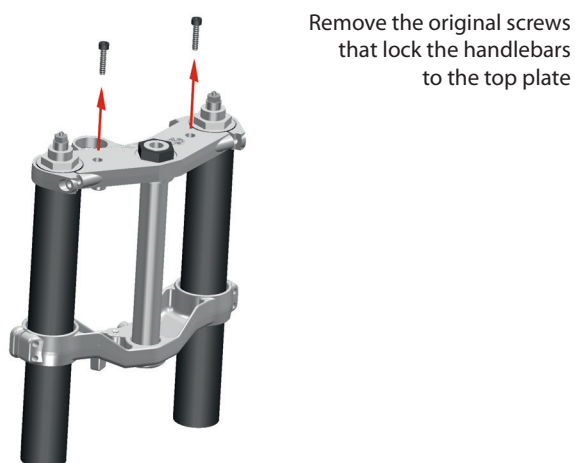
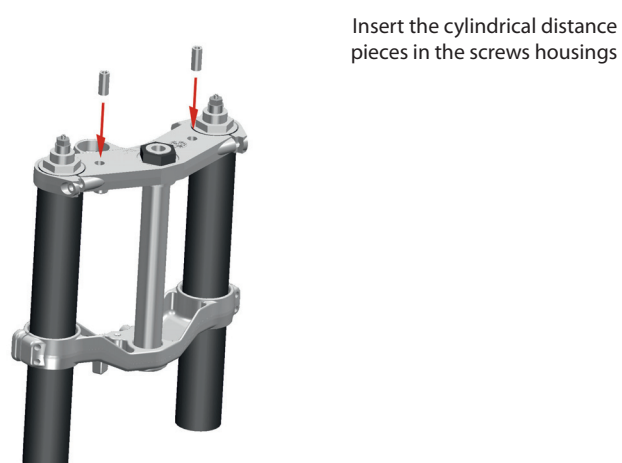


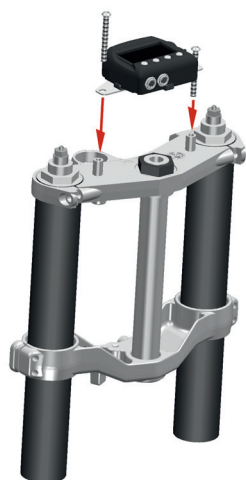
Fig. 6/9



Kit AiM Solo/SoloDL for Yamaha R1* and R6**

Installation guide

Fig. 7/9



Place Solo plate with external holes in line with the distance pieces and insert the screws you find in the kit firmly screwing them (if your handlebars are original)

Fig. 8/9

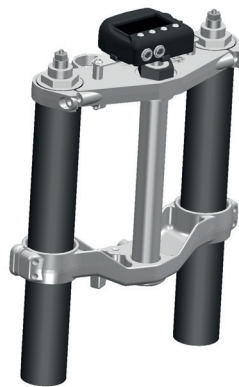
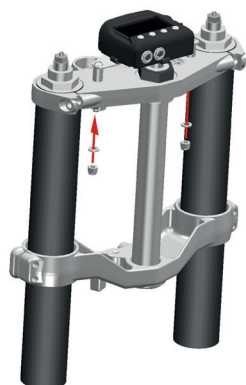


Fig. 9/9



If your handlebars are not original, lock the bolts with the nuts you find in the kit